

TTCE and EGSE status report

Mauro Menichelli
INFN Perugia
July 2005

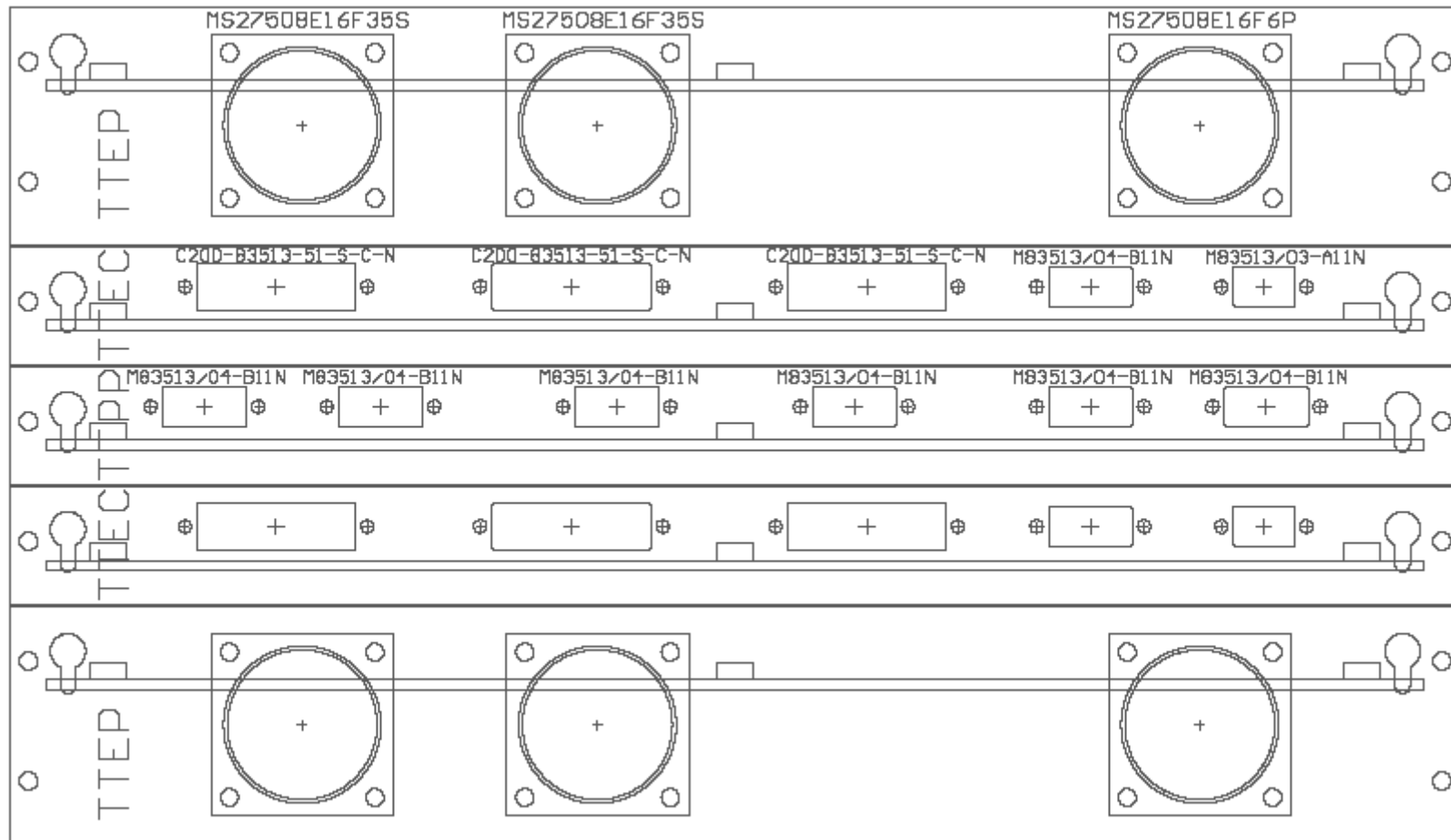
Summary

- Reconfiguration of design for EM2
- Schedule for TTCE
- Status of EGSE

Design reconfiguration for EM2

- Vladimir reconfigured the TTCE system in a different way:
 - TTEC
 - General control (algorithms)
 - general digital interface with CAN bus
 - readout of all PT1000
 - Readout of all DS
 - TTEP
 - Heaters control (ON/OFF)
 - Heaters control (PWM)
 - Peltier control (PWM)
 - DC-DC converters and filters
 - TTPP (half board each side)
 - Pump control
 - Pump monitoring
 - Valve control
 - Pressure sensors monitoring

Crate configuration for EM2



Original schedule I (10-June-05)

- TTEC production ready: 10 Aug.
- TTEP production ready: 1 Sept.
(design ready 1 Aug.)
- TTPP production ready: 15 Sept.
(design ready 15 Aug.)
- TTBP production ready: 25 Sept.
(design ready 25 Aug.)

Original Schedule II

- QM-TTEC production ready: 9 Jan. 06 (design ready 10 Oct. 05)
- QM-TTEP production ready: 16 Jan. 06 (design ready 17 Oct. 05)
- QM-TTPP production ready: 23 Jan. 06 (design ready 17 Oct. 05)
- QM-TTBP production ready: 30 Jan. 06 (design ready 24 Oct 05)

Original Schedule III

- FM-TTEC production ready: 3 Jul. 06
(design ready 3 Apr. 06)
- FM-TTEP production ready: 10 Jul.
06 (design ready 10 Apr. 06)
- FM-TTTP production ready: 17 Jul. 06
(design ready 17 Apr. 06)
- QM-TTBP production ready: 24 Jul.
06 (design ready 24 Apr. 06)

Recent news

- Schedule has about 15 days of delay.
- NLR agreed to write document about general system interfaces in connection with the general EGSE requirements. This document will be available the 1st September.

EGSE activity

- Phase 1 design of sensor and actuators simulator (3 samples)
- Phase 2 integration and production in a complete box of the simulator for a complete loop with basic software. (3 samples)
- Phase 3 EGSE with Behavioural software.

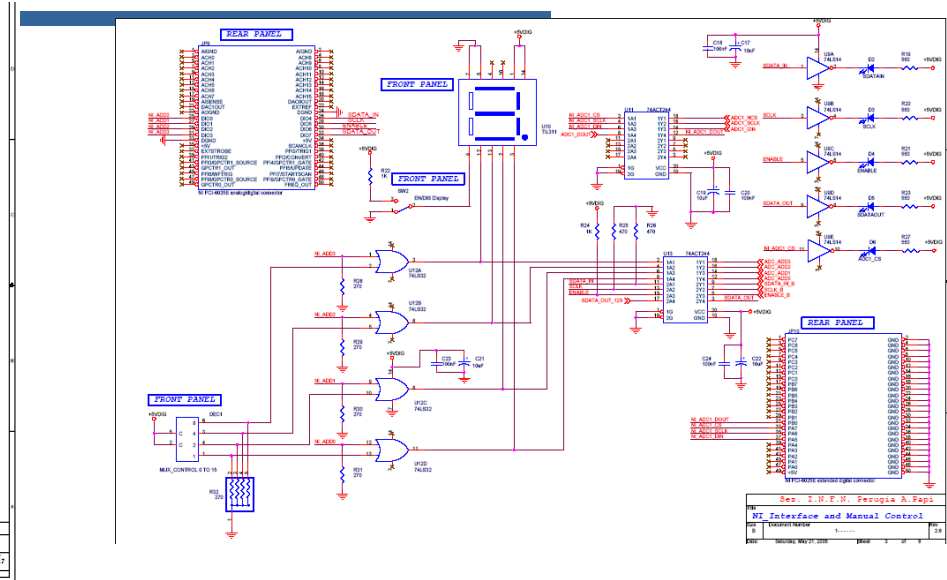
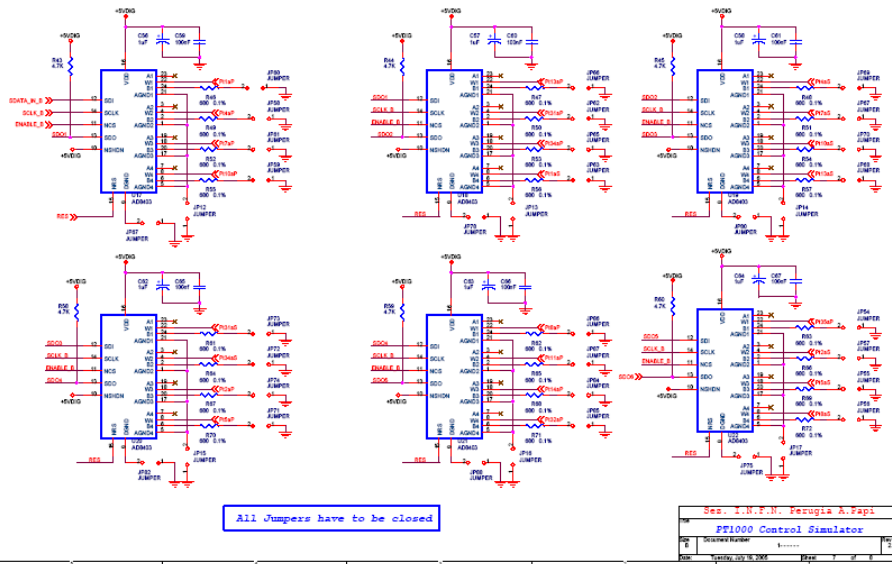
Present status I

- Phase 1 PT1000 emulator ready under test
- Phase 1 Heaters and peltier emulator ready and under test
- Phase 1 Pump and valves emulator under construction (ready by this week)
- Phase 1 Pressure sensor emulator under construction (ready for next week)

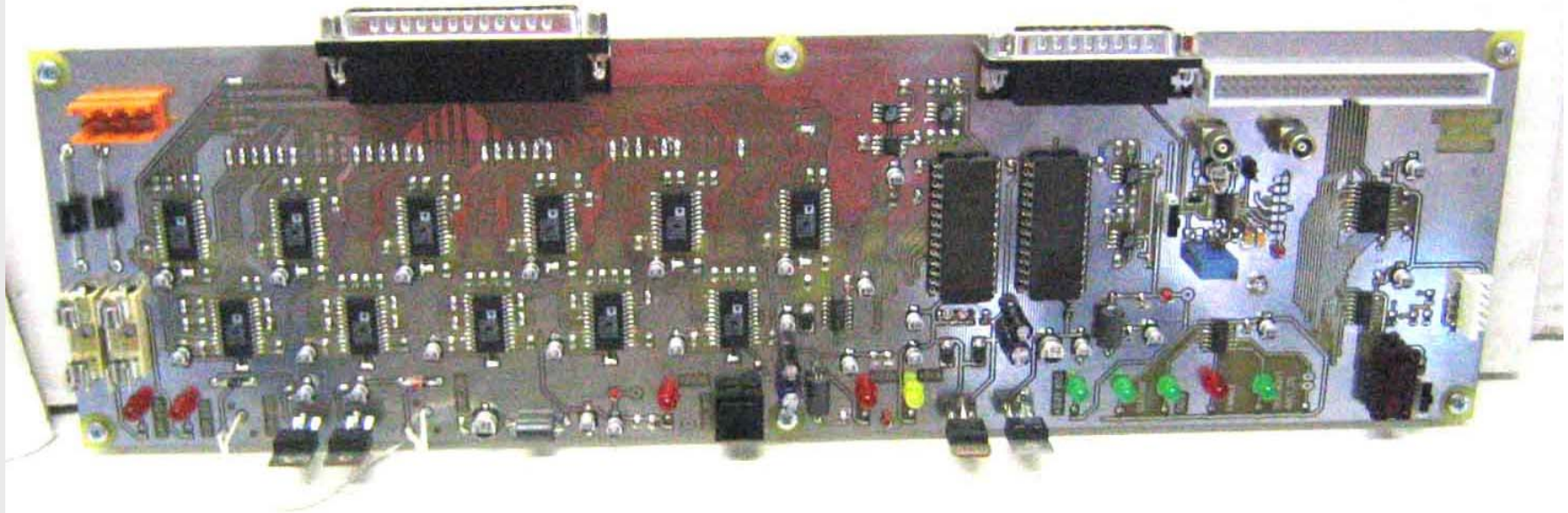
Present status II

- In August we will begin production of additional 2 samples of Phase 1 prototypes
- In September we will start design of Phase II TTCS emulator
- September will be devoted to the production of the first sample of Phase II TTCS emulator end of september and beginning of production of 2 additional samples that should be ready by middle October

PT1000 emulator I

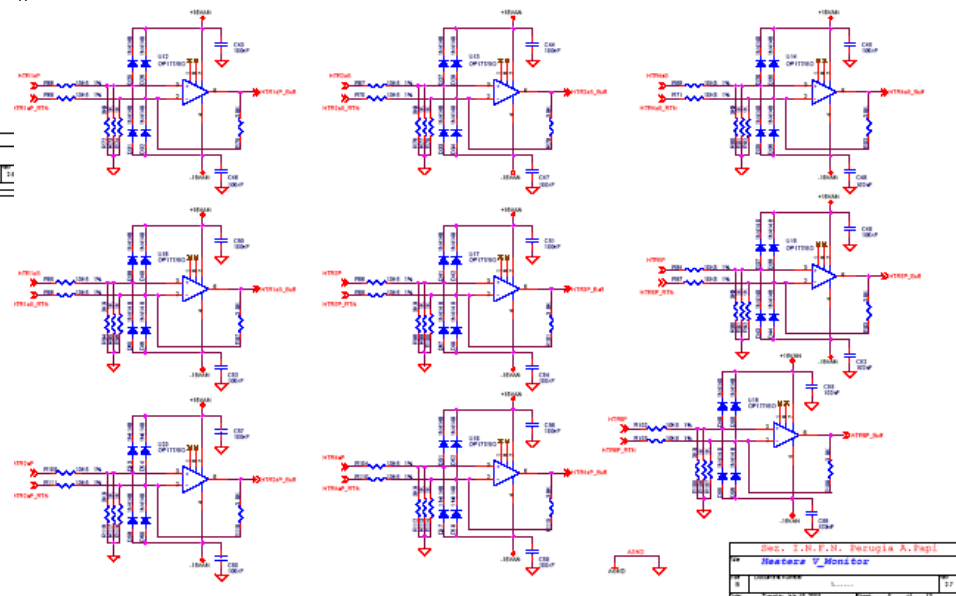
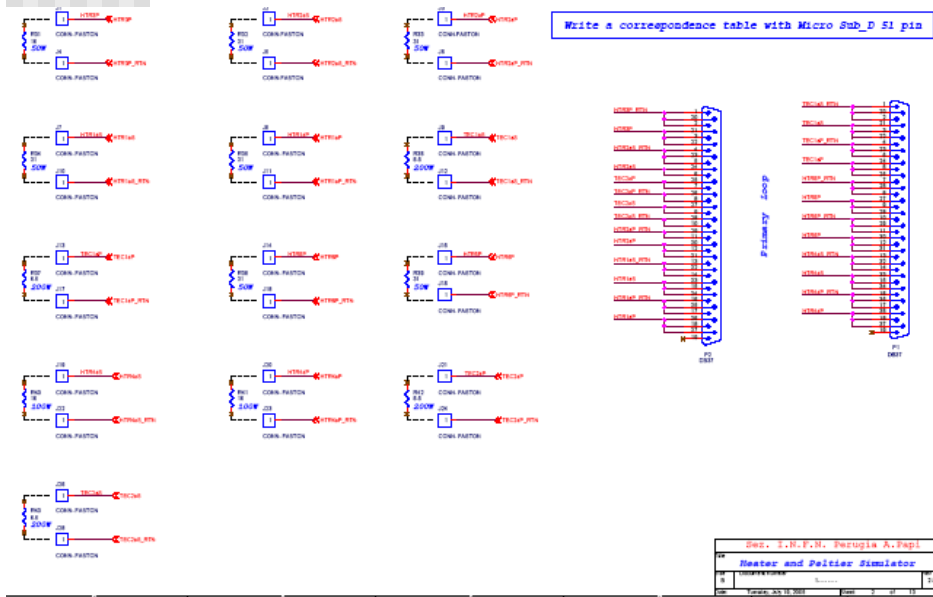


Pt1000 emulator II



Peltier and heater emulator

|



Peltier and heater emulator

II

