

Assembly notes

=====

Wire one 24 pin plug and one 6 way socket to each Agilent 20 channel switch unit (marked on rear with part number 34903A)

Make wire lengths long enough so that the plug and socket both extend approximately 100mm from the rear of the unit

Heat shrink over the wires to each connector to form 2 separate bundles

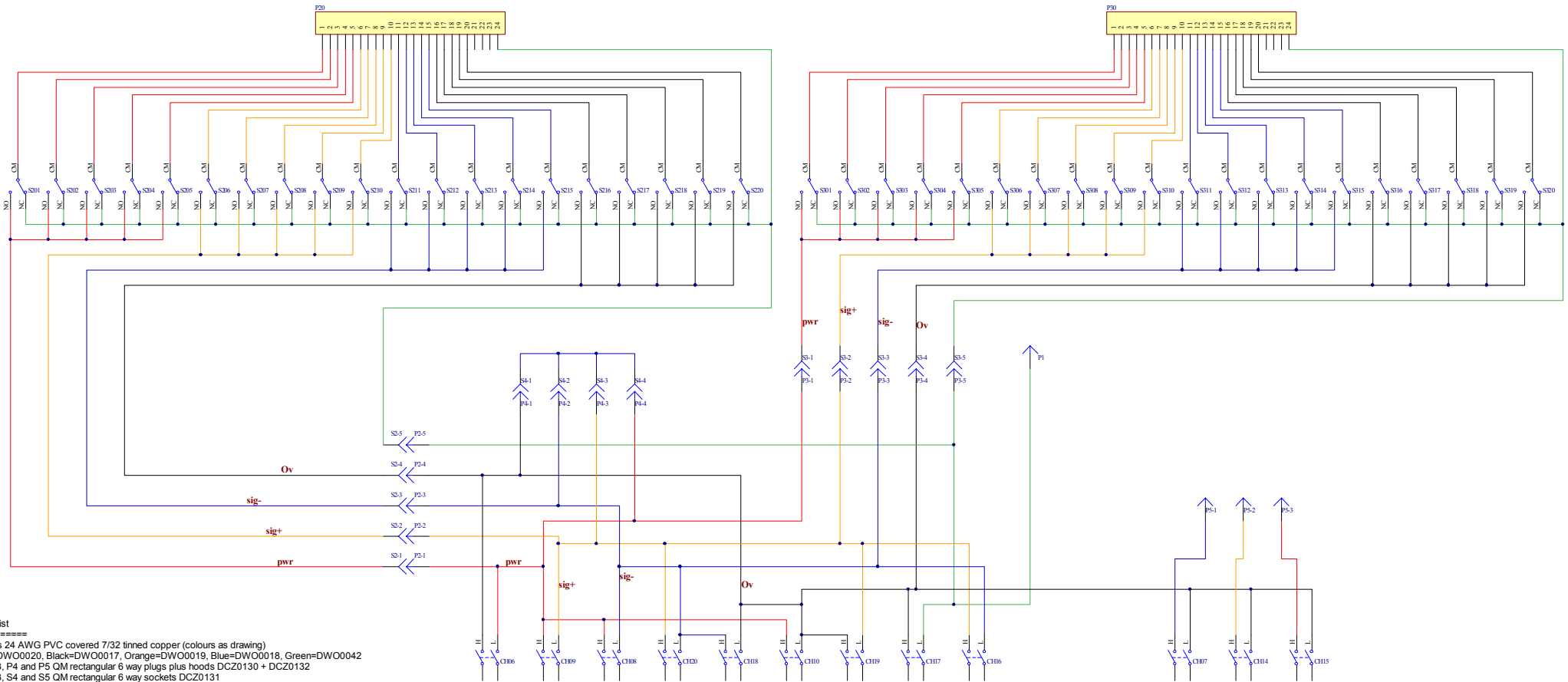
Wire two 6 pin plugs and the green 4mm banana plug lead to the Agilent 20 channel multiplexer unit (marked with part number 34901A)

Make wire lengths long enough so that the sockets both extend approximately 100mm from the rear of the unit

Heat shrink over the wires to each socket to form 2 separate bundles

Terminate all 24AWG wire ends to the Agilent units with 0.25mm sq. violet crimp ferrules

Trim one end off the green 4mm banana plug lead and strip for fitting to the 20 channel multiplexer



- Parts list  
=====
- Wire is 24 AWG PVC covered 7/32 tinned copper (colours as drawing)
  - Red=DWO0020, Black=DWO0017, Orange=DWO0019, Blue=DWO0018, Green=DWO0042
  - P2, P3, P4 and P5 QM rectangular 6 way plugs plus hoods DCZ0130 + DCZ0132
  - S2, S3, S4 and S5 QM rectangular 6 way sockets DCZ0131
  - P20 + P30 QM rectangular 24 way plugs plus hoods DCZ0133 + DCZ0127
  - 24 AWG QM crimp pins and sockets as required DCZ0125 AND DCZ0128
  - Switch banks S201 to S220 and S301 to S320 2 x Agilent 20 way 34903A 20 channel actuator/switch units (DMC0022)
  - Switch banks S09 to S20 1 x Agilent 34901A 20 channel multiplexer unit (DMC0023)
  - P1 Green 4mm Banana plug on lead (make from RS 281-7147 cutting off one end to terminate to DMC0023)
  - Yellow heat shrink as required
  - 9.45/4.5mm DWK0014
  - 4.8/2.4 MM DWK0016
  - Terminate wires under all screw terminals with violet boot-lace ferrules (DCM0039)

Title			
AMS internal wiring scanner assembly			
Size	Number	Revision	3
A2	SCD2220-01		
Date	11/09/08	Sheet	1 of 1
File	H:\Bos\Agilent3_Sch\Asc	Drawn By	RLA